



MARO WORLD INDUSTRY
WORLD OF HUMANS

HYDRO SERVICES

M.Sc. Marko Vitaković mech.eng.

CEO / Europe Office

**Adress: Drage Todorovic 54,
34113 Kragujevac,
Republika Srbija**

E-mail: *office@maroworldinc.com*

Mobil: +381 60 6377551



INSTALLATION AND MAINTENANCE OF TURBINES



We perform ordinary and complex mechanical installation and maintenance of turbines, having numerous experiences achieved in Europe of Kaplan, Francis and Pelton turbines.

We are, also, able to install, the units' embedded parts (draft tubes, spiral cases, manholes, etc...) and carry out on site machining, turning, non-destructive testing, sandblasting and painting, reprofiling of impellers and distributors, reconstruction of worn components, etc.

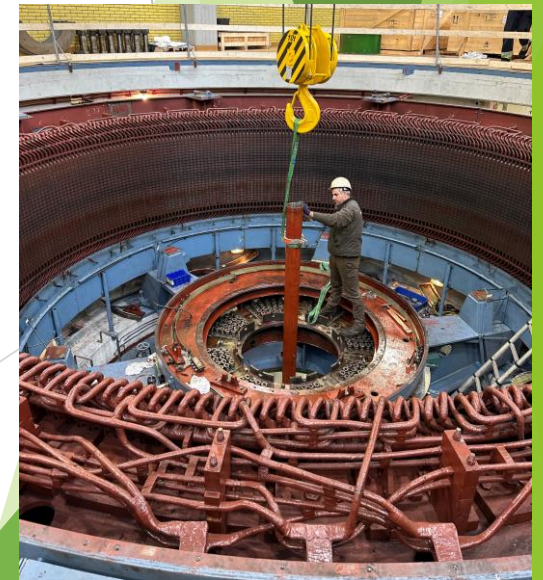




INSTALLATION AND MAINTENANCE OF GENERATORS



We carry out the ordinary maintenance and complete mechanical installation of generators of all sizes, from stators' stacking and winding to assembly and maintenance of rotors, from cryogenic, vegetable fibers or solvents cleaning to the assembly of poles and shaft connections of the excitation system, etc...

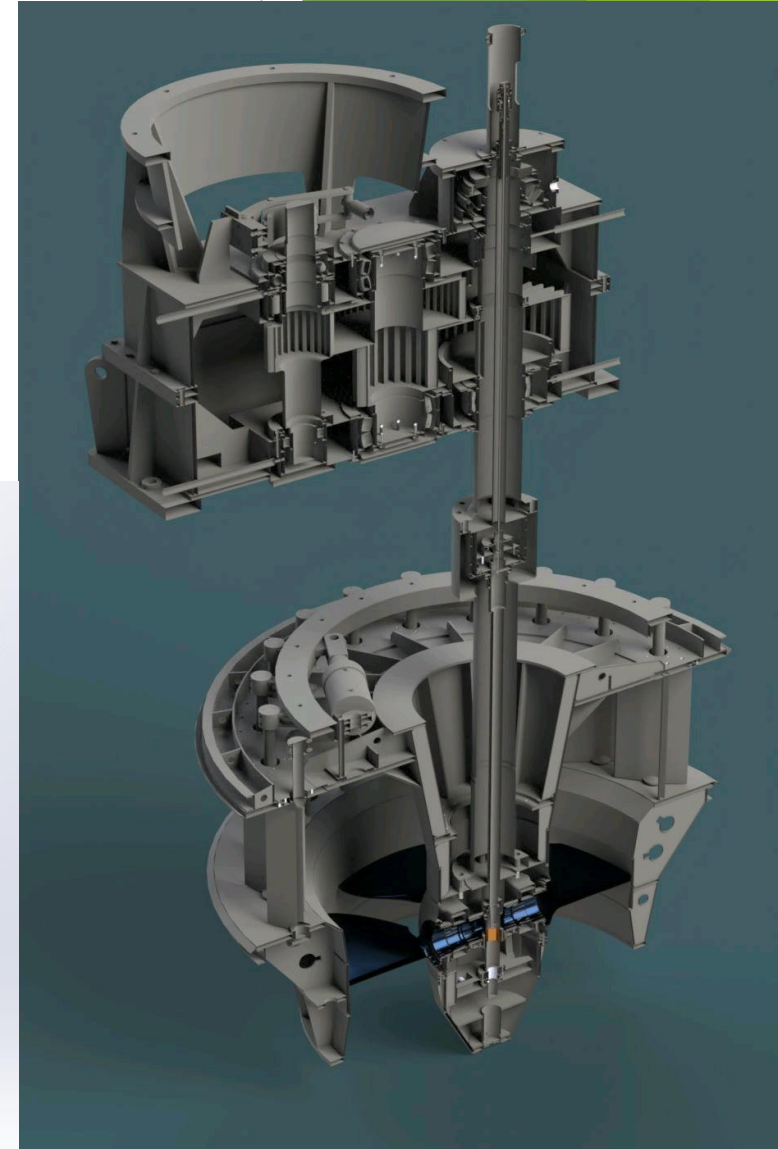
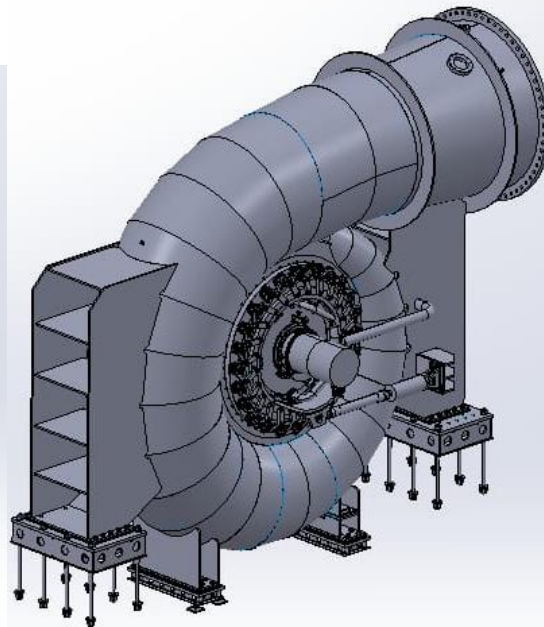
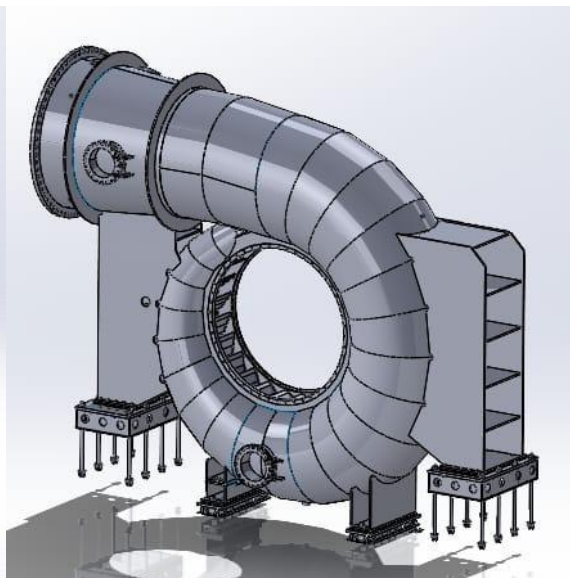
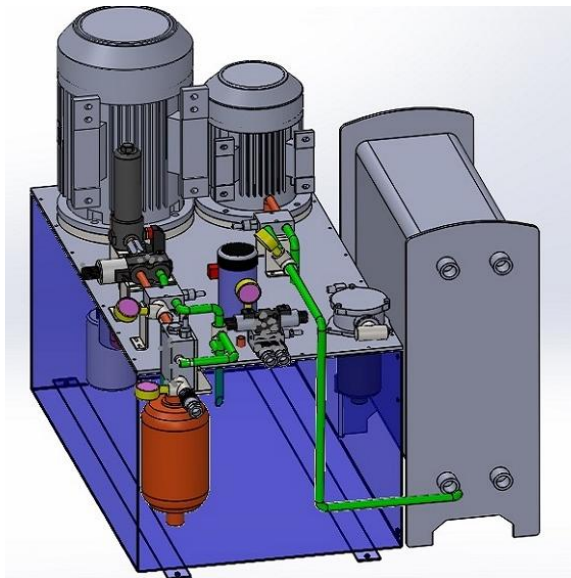




DESIGN OF HYDROMECHANICAL EQUIPMENT



We are experienced in designing equipment for the production of hydroelectric power production (valves, penstocks, gates, various steel structures, hydraulic and cooling systems, etc ...) and we have an integrated technical office able to provide calculation notes, technical specifications, Lay-out, executive drawings, assembly procedures, construction and assembly files, technical sheets for CE marking, list of materials, etc.

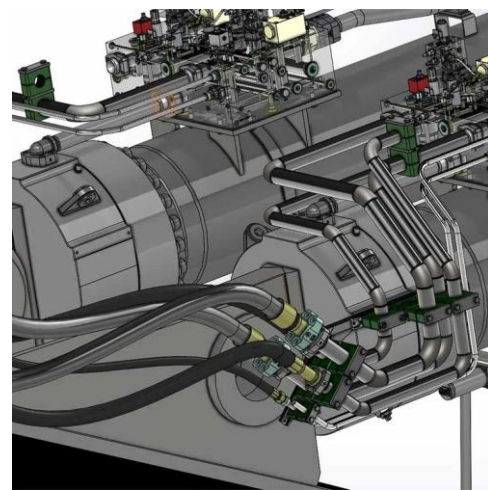
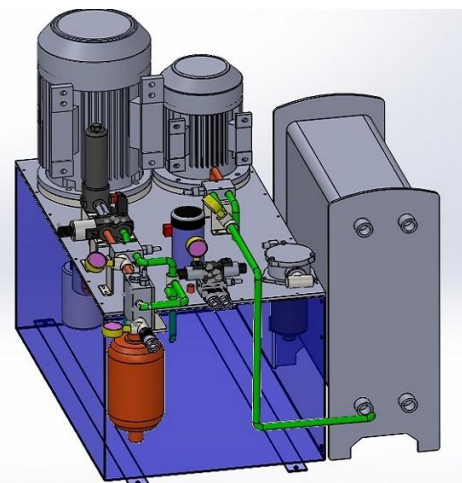
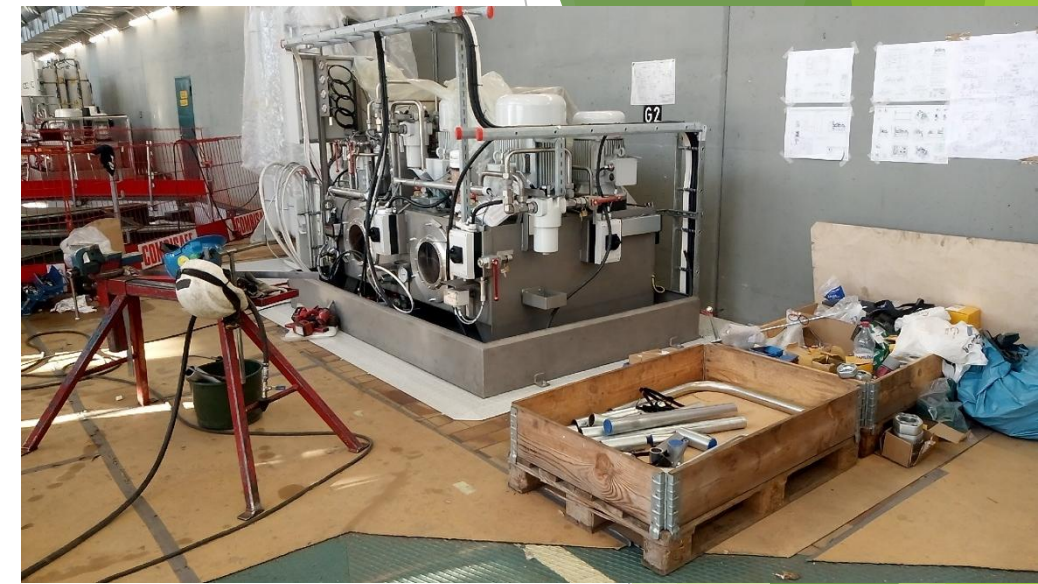
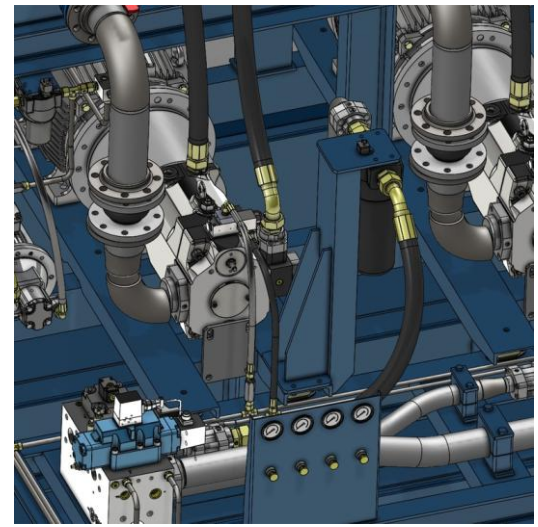




DESIGN, CONSTRUCTION, SUPPLY, ASSEMBLY AND MAINTENANCE OF HYDRAULIC SYSTEMS



We have the skills to manufacture hydraulic power units, servomotors and related piping for valves, turbines and gates.

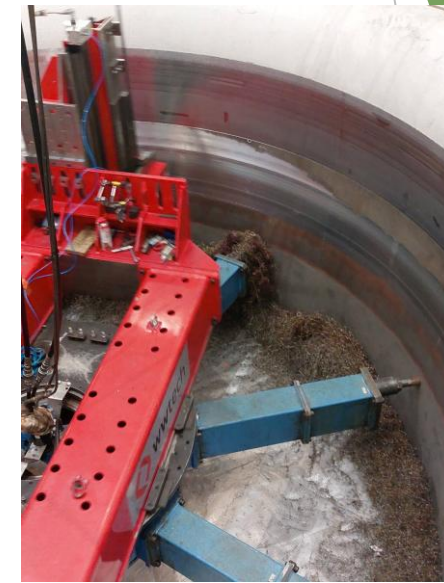
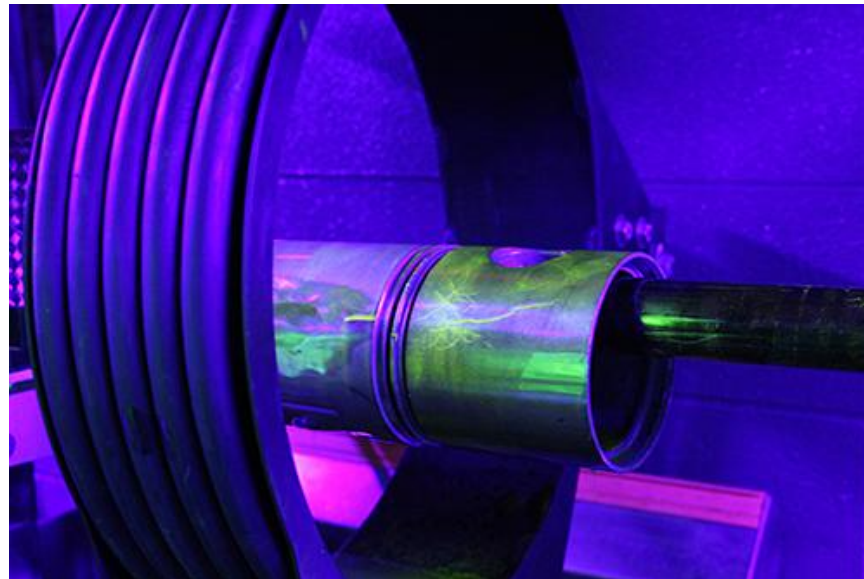




SPECIAL ACTIVITIES ONSITE



In addition to supplies and on-site installations, we integrate our offer with specific activities such as: heat treatments, non-destructive welding checks carried out by our staff (VT, PT and MT), on-site turning and milling, boring and grinding, scaffoldings, sand blasting and painting, coatings with ceramic paints, re-profiling with resins, cavitation repairing, etc.





DESIGN, CONSTRUCTION, SUPPLY, ASSEMBLY AND MAINTENANCE OF PIPING AND PENSTOC



We are able to realise:

Penstocks outdoors or inside tunnels, including all accessories: expansion joints, supports, curves, bifurcations and manifolds, manholes, draft tubes, air valves, etc. We perform ordinary and urgent interventions of penstocks repairing and surface treatments on site;

Closed circuit cooling systems

Hydraulic pipes with welded or cold formed connections with ogivating machines; Any kind of piping for industrial processes.

